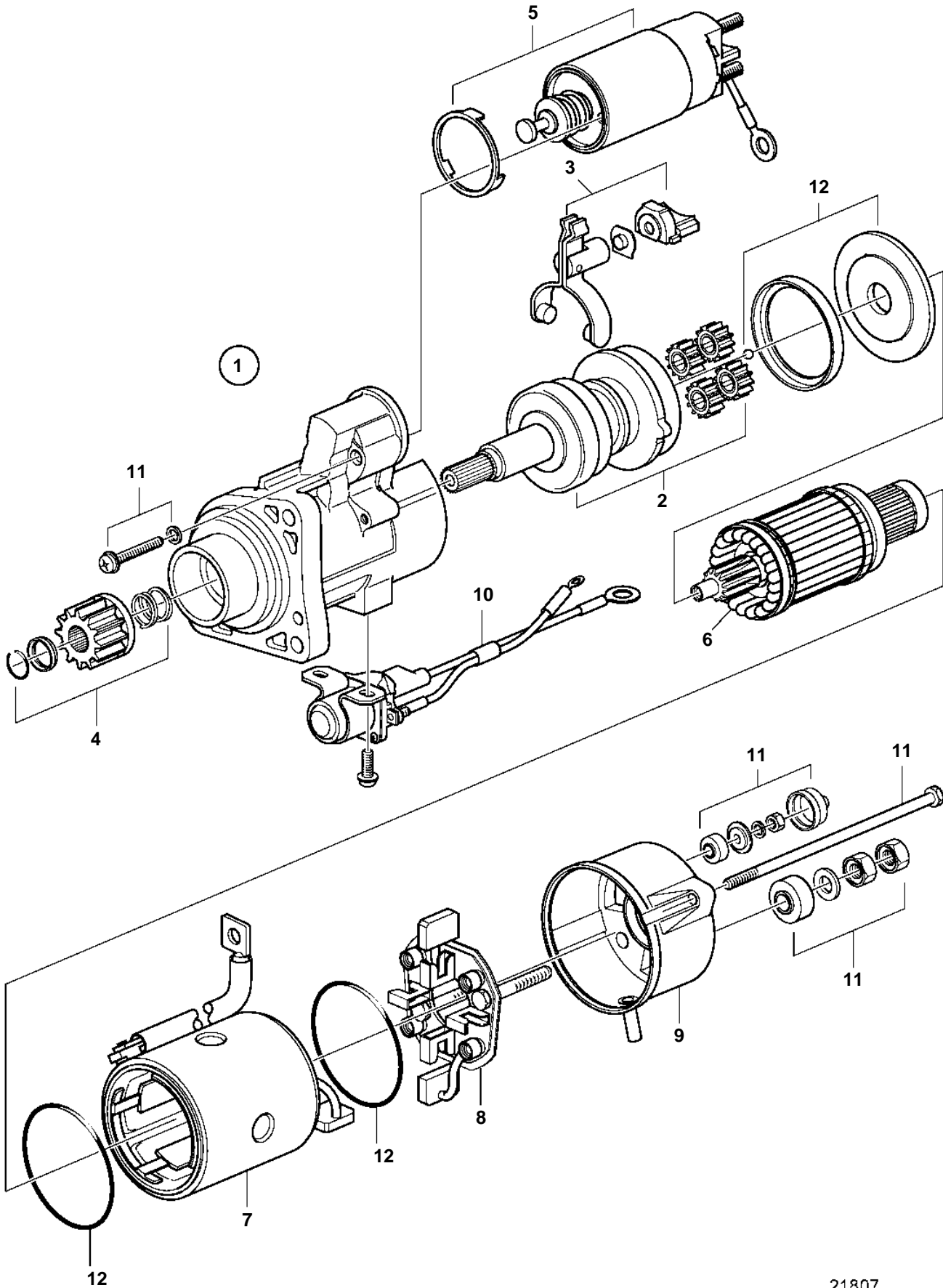


D11A-A, D11A-B, D11A-C



D11A-A, D11A-B, D11A-C

| REF | PART NO. | QTY | DESCRIPTION | NOTES |
|-----|----------|-----|------------------------|---------------------|
| 1 | 3803847 | 1 | Starter motor, exch | Replaced by 3801287 |
| | 3801287 | 1 | Starter motor, exch | |
| 2 | | 1 | · Shaft | |
| 3 | | 1 | · Lever | |
| 4 | 20491053 | 1 | · Pinion | |
| 5 | 3818887 | 1 | · Starter solenoid | |
| 6 | | 1 | · Rotor | |
| 7 | | 1 | · Stator | |
| 8 | 3818891 | 1 | · Carbon brush retaine | |
| 9 | | 1 | · Bearing shield | |
| 10 | 3818901 | 1 | · Starter relay | |
| 11 | 3818906 | 1 | · Screw kit | |
| 12 | 3818908 | 1 | · Gasket kit | |